

Angel Falls, cast down, *earth.*

design Nigel Coates
terzani.com

TERZANI
LA LUCE PENSATA



Product Name

Angel Falls
7 pendants

Materials

clear crystal

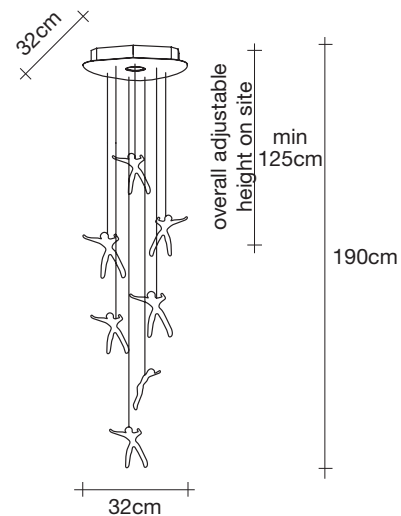


Finishes | Code



clear
0Q07S H4 A9

Body | 7 angels



Light source

230-240V ~ 50/60Hz



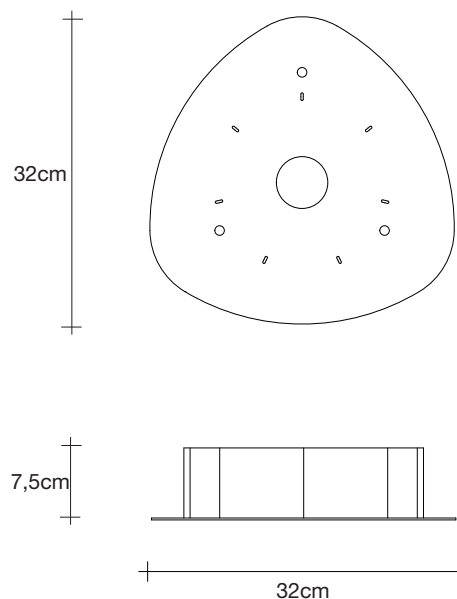
LED
5W GU10 dimmable

dimmable options



all systems

Canopy | brushed nickel



For his latest work for Terzani, Nigel Coates, well known for his unorthodox approach to design, has created an engaging, unique light. Customizable groups of crystal (24% lead) "angels" are illuminated by halogen lamps. What caused these angels to fall from the heavens? It's up to the viewers to decide. Either way, angel falls is sure to garner attention, and generate conversation, in any setting. Design Nigel Coates.

Angel Falls, cast down, *earth.*

design Nigel Coates
terzani.com

TERZANI
LA LUCE PENSATA



Product Name

Angel Falls
12 pendants

Materials

clear crystal

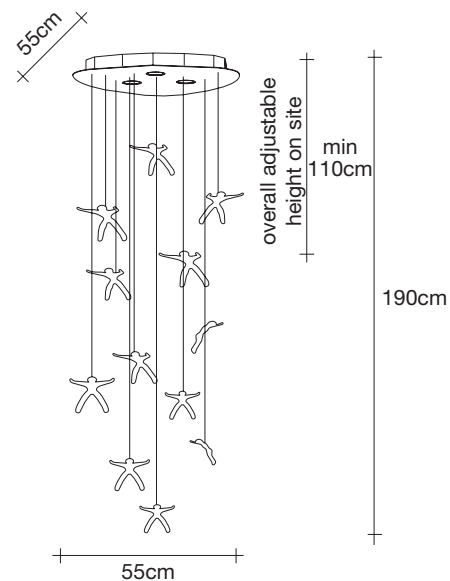


Finishes | Code



clear
0Q12S H4 A9

Body | 12 angels



Light source

230-240V ~ 50/60Hz



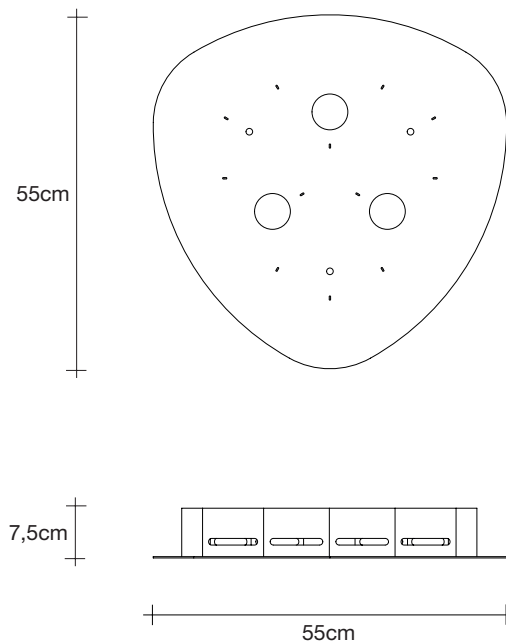
LED
3 x 5W GU10 dimmable

dimmable options



all systems

Canopy | brushed nickel



For his latest work for Terzani, Nigel Coates, well known for his unorthodox approach to design, has created an engaging, unique light. Customizable groups of crystal (24% lead) "angels" are illuminated by halogen lamps. What caused these angels to fall from the heavens? It's up to the viewers to decide. Either way, angel falls is sure to garner attention, and generate conversation, in any setting. Design Nigel Coates.

Angel Falls, cast down, *earth.*

design Nigel Coates
terzani.com

TERZANI
LA LUCE PENSATA



Product Name

Angel Falls
18 pendants

Materials

clear crystal

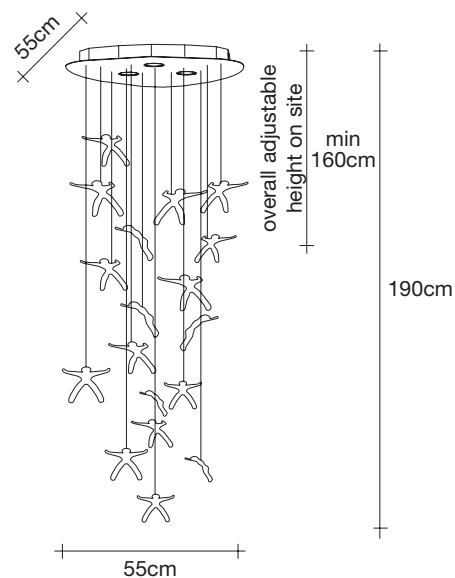


Finishes | Code



clear
0Q11S H4 A9

Body | 18 angels



Light source

230-240V ~ 50/60Hz



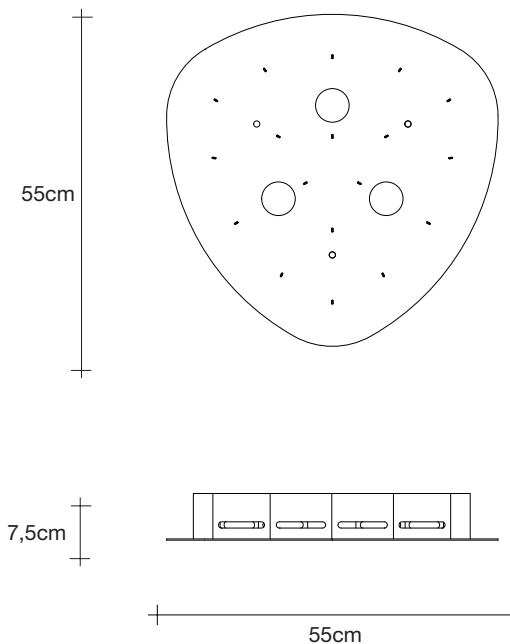
LED
3 x 5W GU10 dimmable

dimmable options



all systems

Canopy | brushed nickel



For his latest work for Terzani, Nigel Coates, well known for his unorthodox approach to design, has created an engaging, unique light. Customizable groups of crystal (24% lead) "angels" are illuminated by halogen lamps. What caused these angels to fall from the heavens? It's up to the viewers to decide. Either way, angel falls is sure to garner attention, and generate conversation, in any setting. Design Nigel Coates.

Angel Falls, cast down, *earth.*

design Nigel Coates
terzani.com

TERZANI
LA LUCE PENSATA



Product Name

Angel Falls
24 pendants

Materials

clear crystal

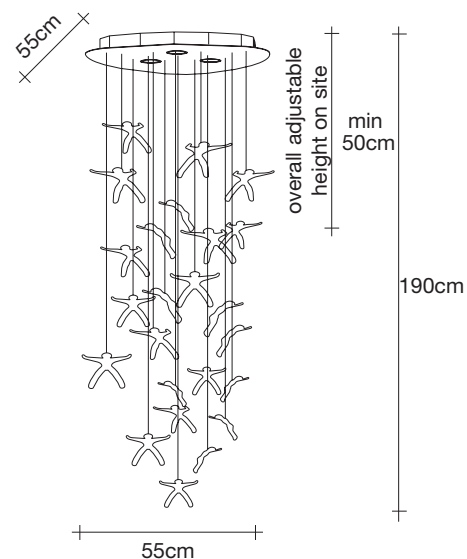


Finishes | Code



clear
0Q10S H4 A9

Body | 24 angels



Light source

230-240V ~ 50/60Hz



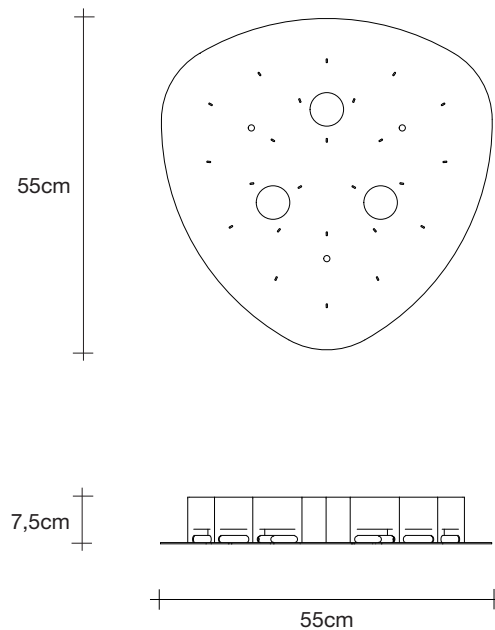
LED
3 x 5W GU10 dimmable

dimmable options



all systems

Canopy | brushed nickel



For his latest work for Terzani, Nigel Coates, well known for his unorthodox approach to design, has created an engaging, unique light. Customizable groups of crystal (24% lead) "angels" are illuminated by halogen lamps. What caused these angels to fall from the heavens? It's up to the viewers to decide. Either way, angel falls is sure to garner attention, and generate conversation, in any setting. Design Nigel Coates.

Angel Falls, cast down, *earth.*

design Nigel Coates
terzani.com



Product Name

Angel Falls
36 pendants

Materials

clear crystal

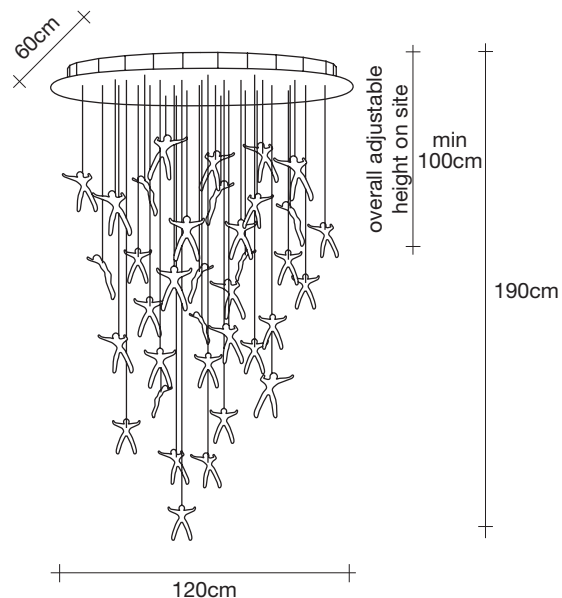


Finishes | Code



clear
0Q13S E8 A9

Body | 36 angels



Light source

230-240V ~ 50/60Hz



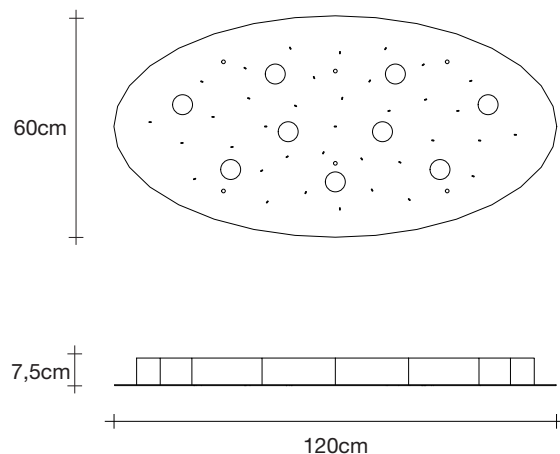
LED
9 x 4W GU10 dimmable

dimnable options



all systems

Canopy | white



For his latest work for Terzani, Nigel Coates, well known for his unorthodox approach to design, has created an engaging, unique light. Customizable groups of crystal (24% lead) "angels" are illuminated by halogen lamps. What caused these angels to fall from the heavens? It's up to the viewers to decide. Either way, angel falls is sure to garner attention, and generate conversation, in any setting. Design Nigel Coates.